

iQ™ 10 Charging Station Device Racks

Don't need the Baskets in your iQ 10 Stations? Install the included device racks instead. This document specifies the maximum device dimensions that will fit in the iQ 10 Charging Station racks.



Compatible with:  iQ™ 10 Charging Station
(LNC7121EUUK)

www.lockncharge.com/eu

Phone: +44 (0) 208 441 4107

europesupport@lockncharge.com

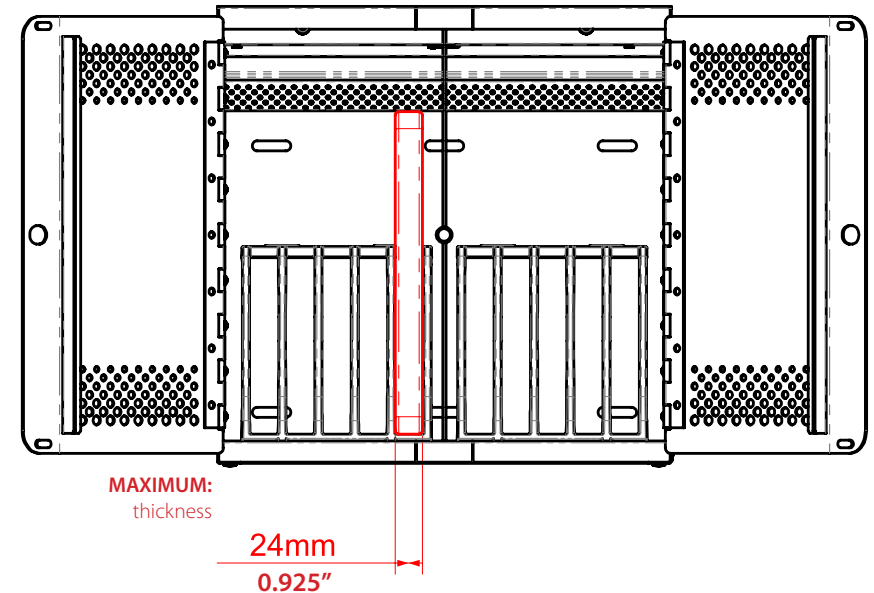
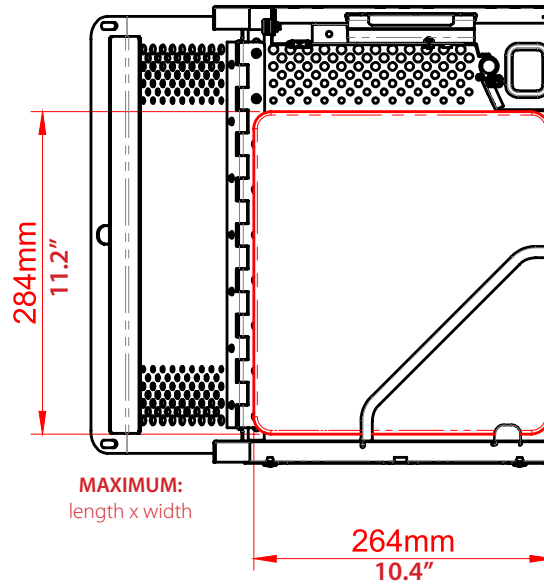


lockncharge™ It just makes life easier.

iQ™ 10 Charging Station Device Racks Compatibility Guide

How to Check Your Device's Compatibility:

- 1 The design of the iQ 10 Charging Station makes them compatible with most iPad and Tablet devices, with or without cases.
- 2 Refer to the red measurements on the rack drawings to the right. **If your device is smaller than the measurements shown, your device is compatible.**



Product Number	Description	Total Devices per Station	Max Dimensions (mm): (length x width x thickness)	Max Dimensions (inches): (length x width x thickness)
LNC7121EUUK	Device Rack (set of 2)	10	284mm x 264mm x 24mm	11.2" x 10.4" x 0.925"

iQ 10 Stations charge devices via USB port. Devices that require USB-C cables are not compatible with this station. If you purchase the pre-wired version of the iQ 10 Station, iPad 8th Gen is compatible with this station as long as the LocknCharge provided Lightning Cables are used.

www.lockncharge.com/eu

Phone: +44 (0) 208 441 4107 | europesupport@lockncharge.com

