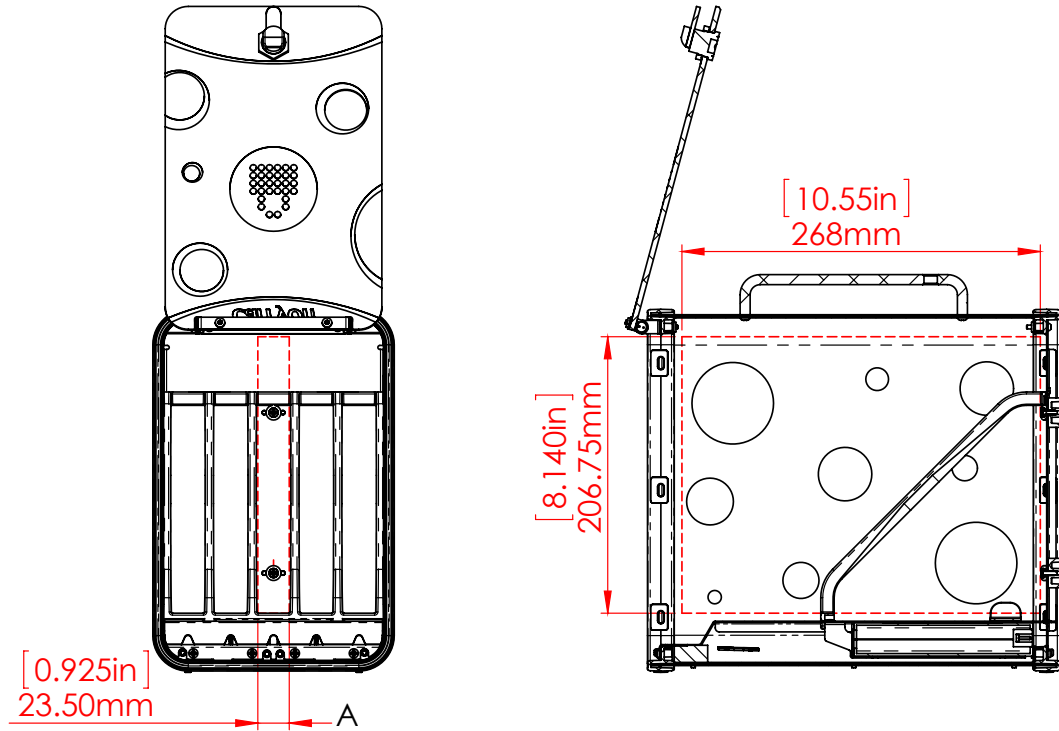


Follow the steps below to check your device's compatibility with the CarryOn.

How to Check Your Device's Compatibility:

- 1 Connect the power cable and measure your device. Check the length, height and thickness.
- 2 Check device dimensions against the below measurements to determine if your device is compatible with the CarryOn. The illustration below gives you a visual illustration.
- 3 If your device is smaller than the measurements shown below, your device is compatible.



Product Compatibility	Description	Total Devices per Station	Max Dimensions (mm): (Including power connector)	Max Dimensions (inches): (Including power connector)	Power
CarryOn	Ultra-mobile charging station	5	206.75 mm x 268 mm x 23.5 mm	8.14" x 10.55" x 0.925"	USB power connector

To confirm whether or not your specific device is compatible In addition to device dimensions, please also review device cord/charging compatibility at www.lockncharge.com/eu.

www.lockncharge.com/eu

Phone: +44 (0) 208 441 4107

europesupport@lockncharge.com

