

Resettable keyless padlock

SESAMEE – K500 3/4

TO OPEN: Padlock is pre-set to 0-0-0-0. Turn the wheels to this combination. Depress shackle.

TO SET OR CHANGE COMBINATION:

1. Open lock.
2. Push change pin down into open shackle hole as far as it will go --down to bend in the pin (see drawing).
3. While the pin is fully inserted, set combination to your chosen number. Pick a number you will remember and write it down as a record.
4. Pull out the change pin. Lock is now set to the new combination.

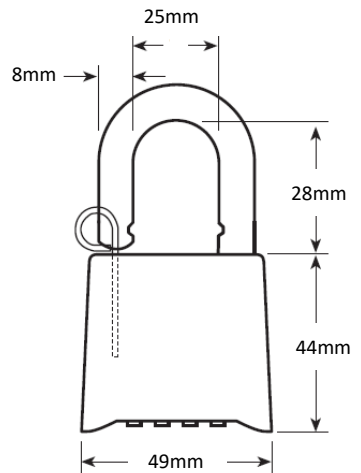
TO LOCK: Turn the wheels to scramble the numbers. Depress Shackle.

TO RE-OPEN: Dial-in your secret combination and depress the shackle.

MAINTENANCE: Lubricate occasionally with powdered graphite. Do not use oil.

OPENING IN THE DARK: Lock has been designed for sightless operation.

When turned in the correct direction, all wheels will stop at 0-0-0-0. Once this has been done, simply turn each wheel in the reverse direction and count the clicks until you reach your combination.



FOR USE ON:



lockncharge



pclocs

www.lockncharge.com

| www.pclocs.com.au