

# iQ 10 Charging Station™ Device Racks

Don't need the Baskets in your iQ 10 Stations? Install the included device racks instead. This document specifies the maximum device dimensions that will fit in the iQ 10 Charging Station racks.



Compatible with:



iQ 10 Charging Station™  
(LNC7121)



iQ 10 Sync Charge Station™  
(LNC7120)

[www.lockncharge.com](http://www.lockncharge.com)

Phone: +44 (0) 208 441 4107

[europesupport@lockncharge.com](mailto:europesupport@lockncharge.com)

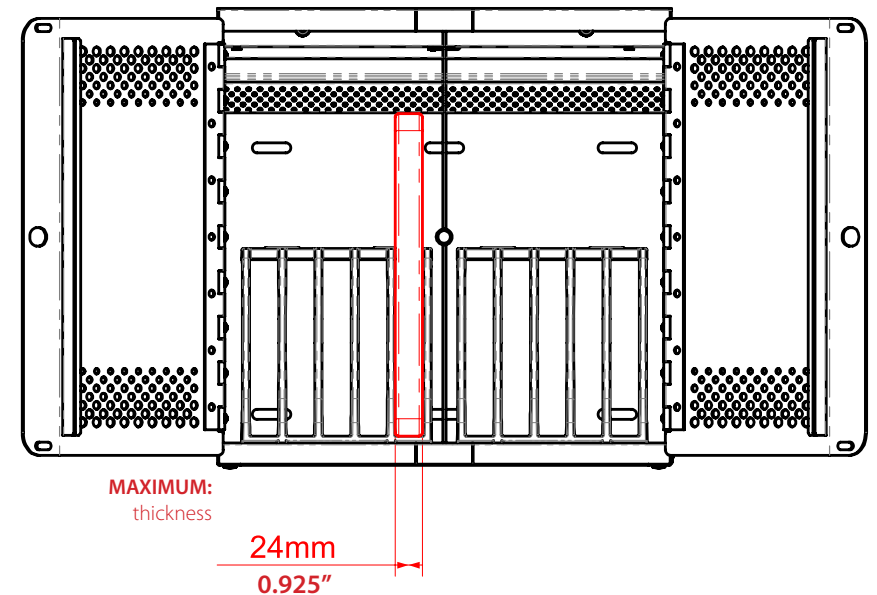
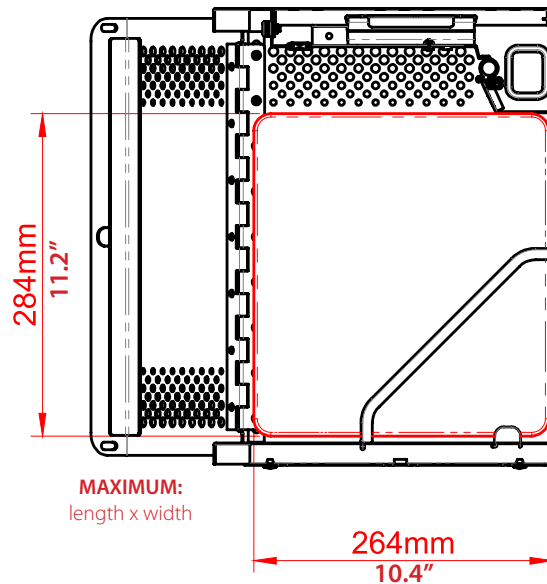


**lockncharge™** It just makes life easier.

# iQ 10 Charging Station™ Device Racks Compatibility Guide

## How to Check Your Device's Compatibility:

- ① The design of the iQ 10 Charging Station™ and iQ 10 Sync Charge Station™ makes them compatible with most iPad and Tablet devices, with or without cases.
- ② Refer to the red measurements on the rack drawings to the right. **If your device is smaller than the measurements shown, your device is compatible.**



Station Compatibility	Description	Total Devices per Station	Max Dimensions (mm): (length x width x thickness)	Max Dimensions (inches): (length x width x thickness)
LNC7120 LNC7121	Device Rack (set of 2)	10	284mm x 264mm x 24mm	11.2" x 10.4" x 0.925"

[www.lockncharge.com](http://www.lockncharge.com)

Phone: +44 (0) 208 441 4107 | [europesupport@lockncharge.com](mailto:europesupport@lockncharge.com)

Specifications and images are for illustration purposes only. Final product may differ. May not fit all devices. Please check the dimensions of the device and the Device Rack. Contact us for more information.

