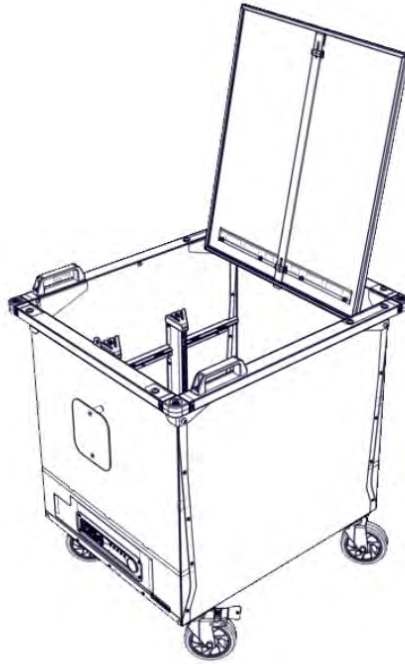


INSTRUCTIONS: JOEY 30 CART™ (MK2)



Congratulations on your purchase.

Follow these instructions for easy and fast set-up of your Joey 30 Cart.

For video instructions, go to <https://vimeo.com/144317620>



Warranty:

PC Locs/LocknCharge warrants the product to be free of defects in design, materials, assembly and craftsmanship from the date of purchase to the original retail purchaser. Evidence of original purchase will be required to obtain warranty service.

In the event that a defect, malfunction or failure occurs or is discovered during the warranty period, PC Locs/LocknCharge will repair or replace, at its option, the products which in the reasonable judgment of PC Locs/LocknCharge are deemed defective. All transportation costs shall be borne by the owner and the risk of loss shall be upon the party initiating the transportation.

The warranty does not apply to any product that has been subject to misuse, tampering, neglect, or accident or as a result of unauthorized alterations or repairs to the product. The warranty is in lieu of all warranties expressed or implied, including the implied warranties of merchantability and fitness for a particular purpose which are expressly excluded or disclaimed. In no event will PC Locs/LocknCharge, their directors, officers, employees, or agents be liable for any harm, consequential, incidental, third party, special or indirect damages whatsoever arising out of the use or inability to use the products even if PC Locs/LocknCharge has been advised of the possibility of such damages.

PC Locs/LocknCharge obligation is strictly and exclusively limited to the replacement or repair of any defective products. Some states do not allow the exclusion or limitation of incidental or consequential damages, so the above limitation or exclusion may not apply to you.






Disclaimer:

This information is the intellectual property of IWS Global Pty Ltd and may not be distributed, duplicated or copied in part or full without the written permission. Since the use of this information, the equipment connected and the conditions by which any IWS Global product is used is beyond the control of IWS Global, it is the obligation of the owner and/or user to determine the correct and safe use of any equipment and product. To the extent that the law permits, any liability which may be incurred as a result of the use or future use of a product manufactured or sold by IWS Global is limited to the cost of repairing or replacing the failed product or component at the discretion of IWS Global either within, or outside of warranty periods, and does not extend to any loss or damage which may be caused as a consequence of misuse or failure of the equipment or product or the information contained herein. IWS Global shall not in any event be liable for economic loss of profits, indirect, special, bodily injuries or consequential damages.




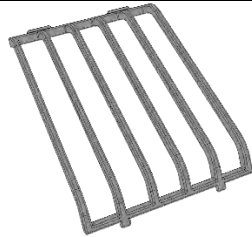




Specifications and images are for illustration purposes only. Final product may differ and is subject to change without notice.

Parts List

Box #1

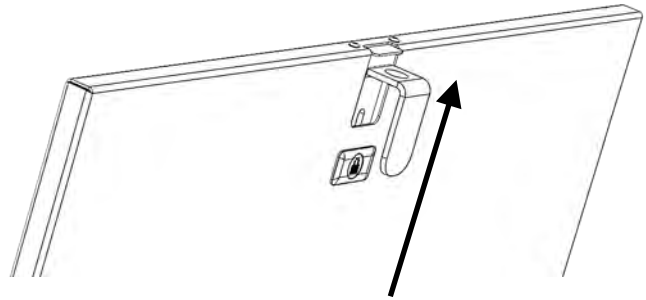
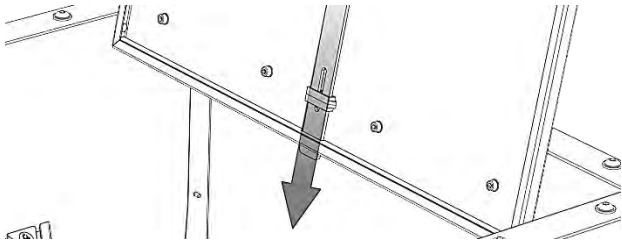
Quantity	Item	Image
2	Braked castors	
2	Non-braked castors	
16	M8 Hex-head bolts	
16	M8 flat washers	
1	Hex wrench	

Box #2

Quantity	Item	Image
1	Instruction booklet	
2	Number stickers 1 - 40	
1	Electrical Use Guidelines sheet	
30	Velcro cable ties	
1	3m Extension Power cord <i>(UK version image for illustration only)</i>	
1	Remote control for Eco-Timer power board	
6	Plastic dividers	
6	Plastic divider bases	
1	Key ring	
1	Padlock with 2 keys	
2	Pieces of foam tape	

Note: the lid has an anti-slam mechanism... when the lid is open, the green bar drops down to prevent the lid closing

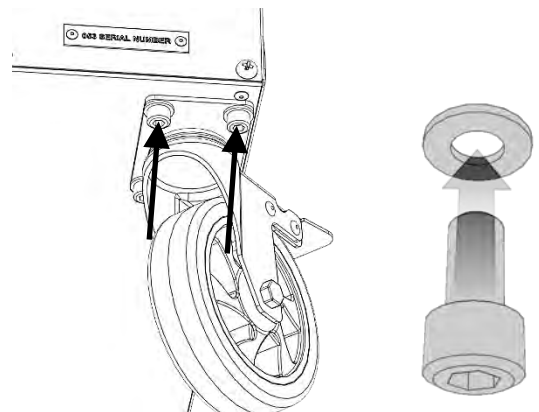
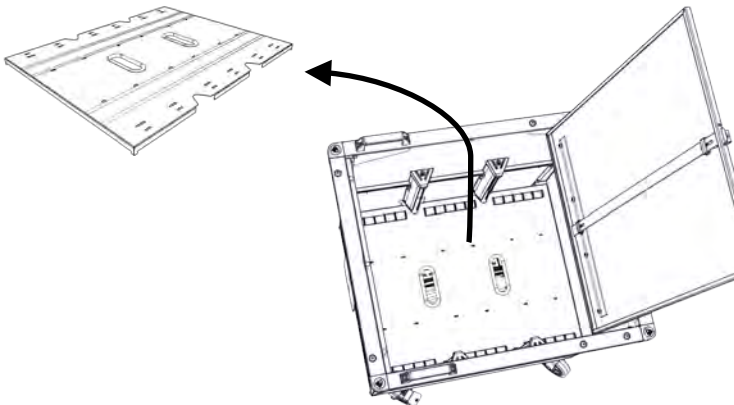
When closing, lift the handle to release the anti-slam mechanism, and gently close the lid



WARNING: The correct operation of the lid anti-slam mechanism as described above must be observed to (1) prevent any crushing injury when the lid is lowered for closing, and (2) to prevent damaging the cart and lid.

After removing outer packaging open the lid and remove internal components – parts boxes and device shelf

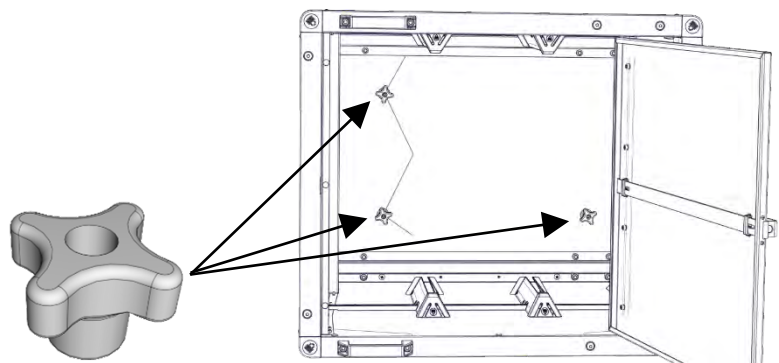
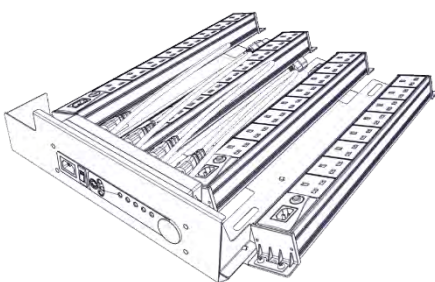
Carefully lay the cart on its side and attach the castors. Ensure brake castors are located under the cart handles. Secure 4 x M8 bolts per wheel with supplied Allen key



This section relates only to customers in Europe, for installation of the power tray

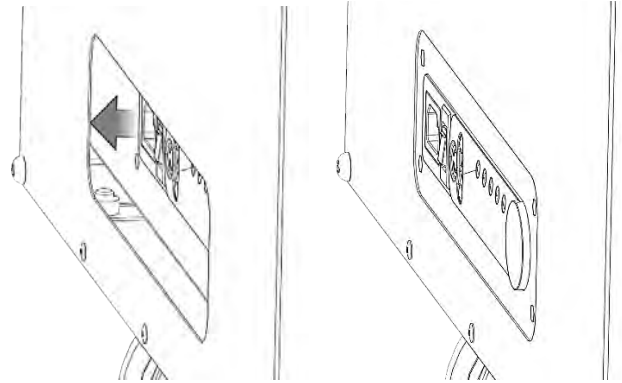
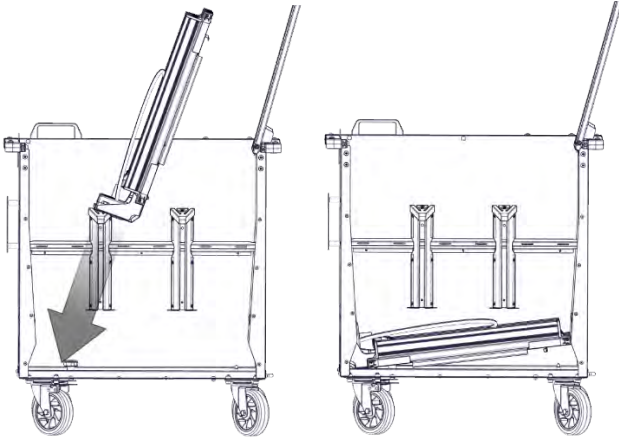
Unpack the Power tray

Open the Cart lid and remove the shelf, then remove 3 thumbwheels

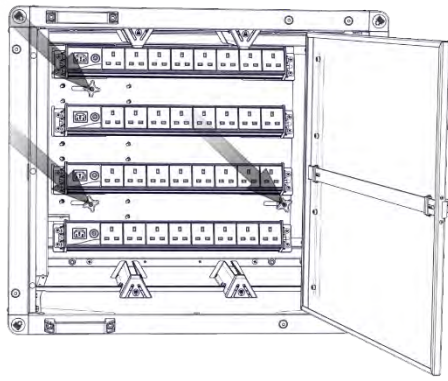
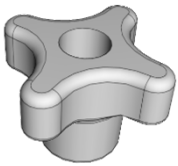


Carefully lower in the power tray into the base of the cart

Push the tray forward so the face is flush with the side panel



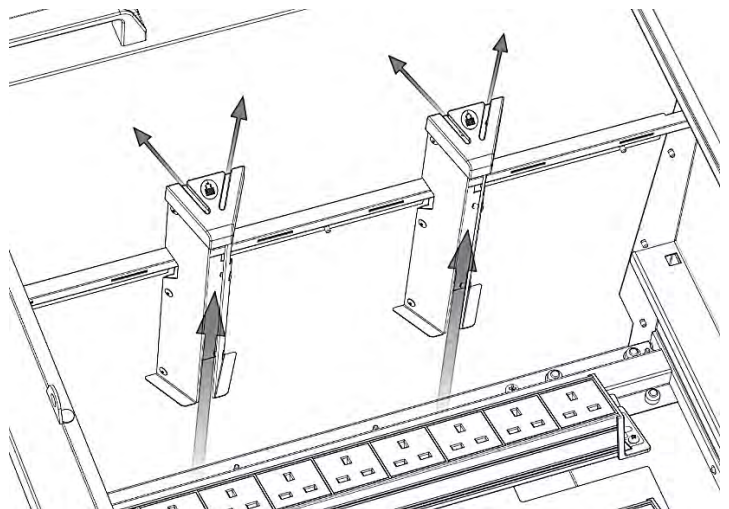
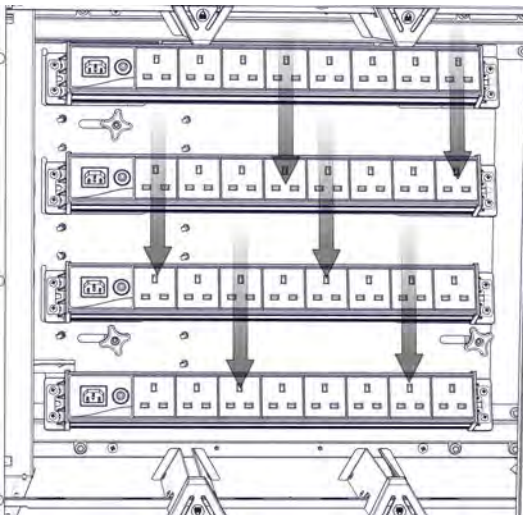
Attach the thumbwheels to secure



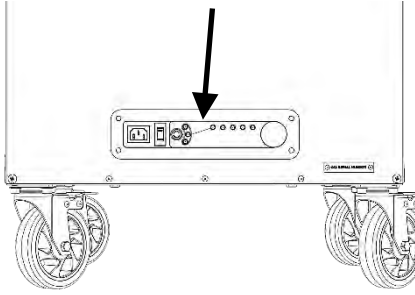
The following sections relates to all customers

Connect your device chargers

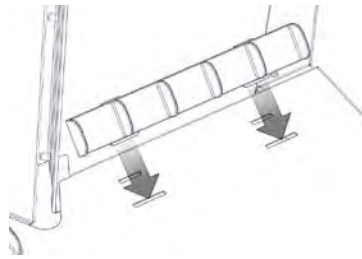
Route the cables through the cable channels



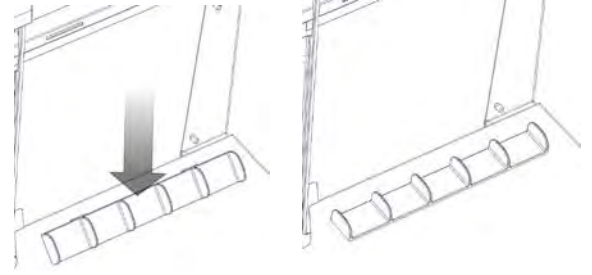
Note the ECO Safe Charge™ power board.
This is controlled by the remote control provided (see additional instructions)



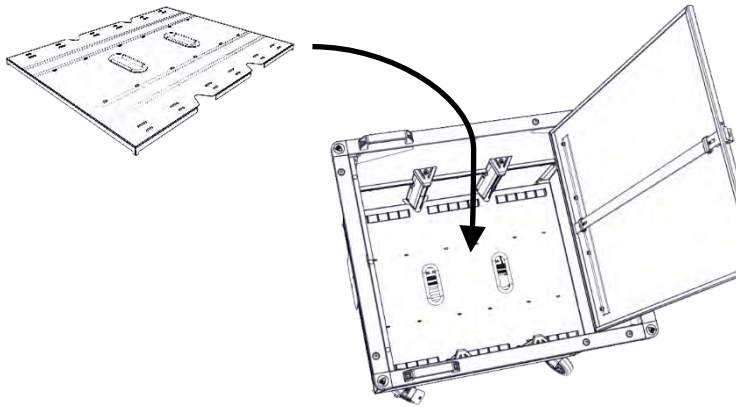
Insert device base supports into shelf



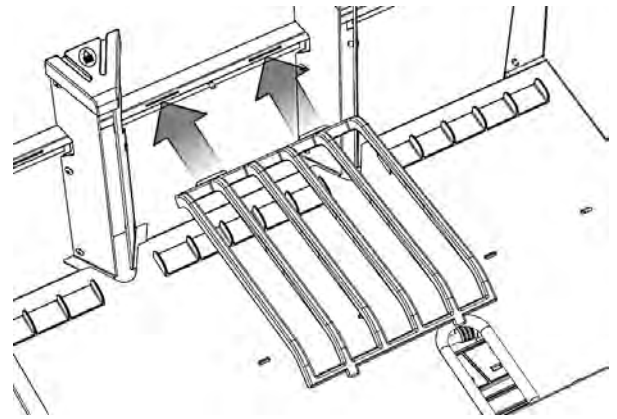
“Snap” down with thumb



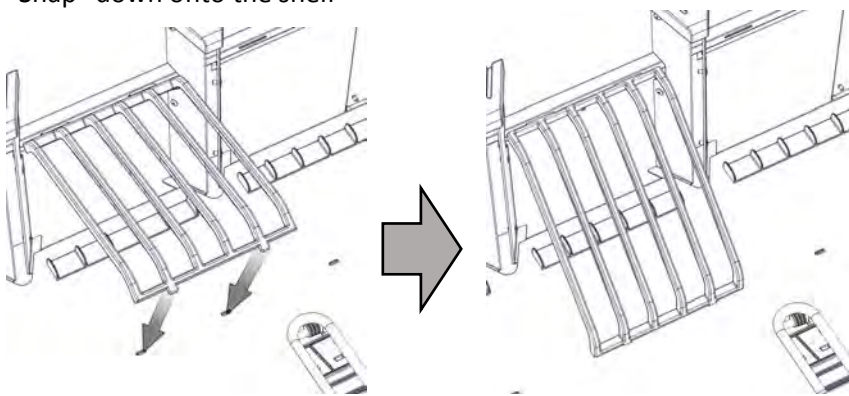
Replace the device shelf



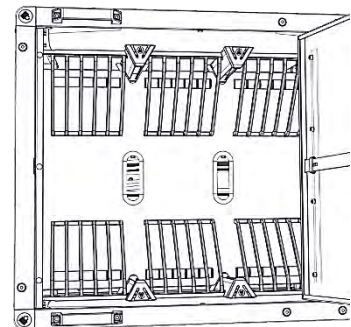
Install device divider – top edge first



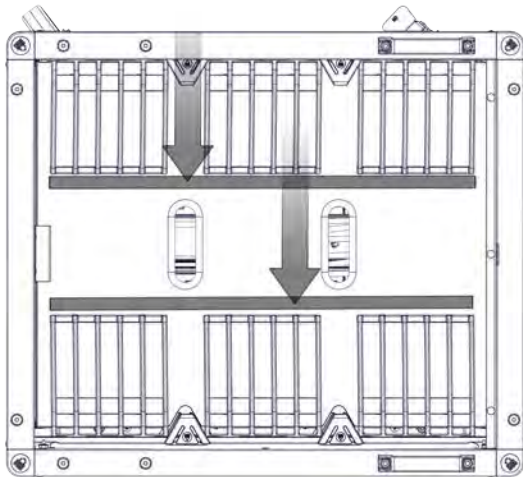
“Snap” down onto the shelf



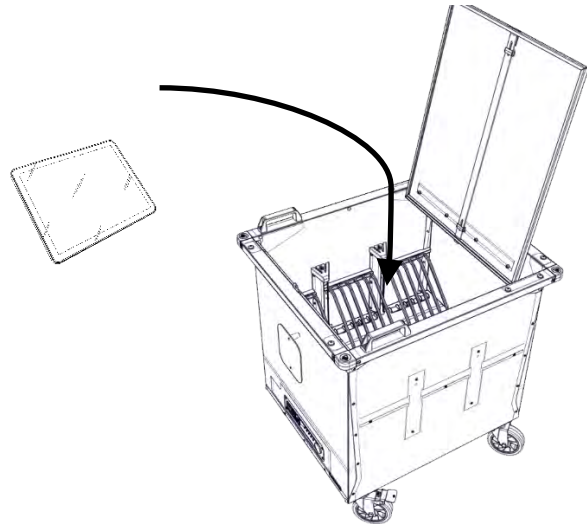
Completed installation of dividers:



Install the self-adhesive foam strip. Remove backing and carefully adhere strip onto shelf

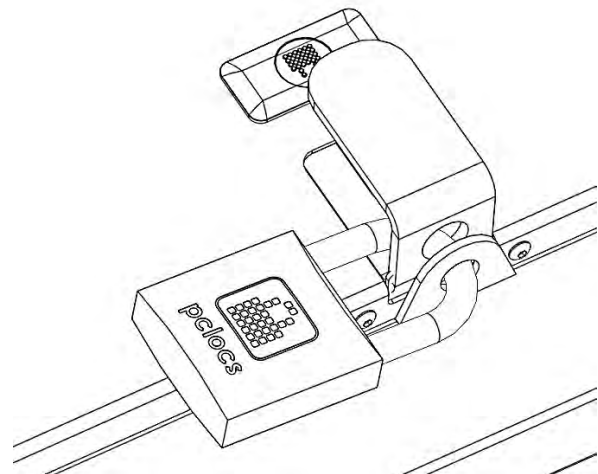
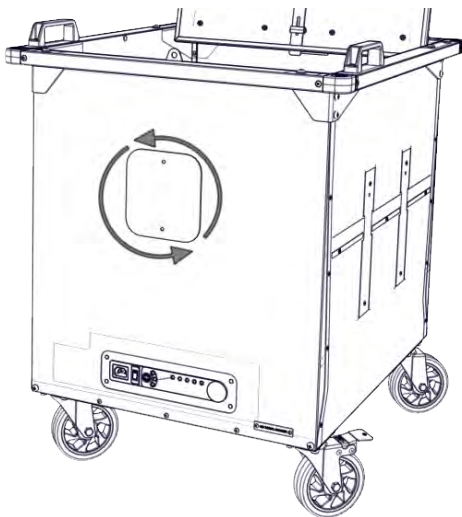


Install your laptop or tablet devices and plug in



Move the cart to where you intend to store and secure it. Use the cable cleat to store the extension power cable. Unwind the power cable and plug into a wall socket

Close the lid and secure with a padlock



Turn on the Joey Cart by pushing the green 'ON' button on the ECO Safe Charge™ power board or by pairing the remote control with the cart.

Pairing the remote control to the Joey Cart:

- Remove the battery tab from the back of the remote control.
- Press and hold the green button on the ECO Safe Charge™ power board until the LED flashes
- Press any button on the remote control.

For detailed ECO Safe Charge™ instructions visit our websites:

www.lockncharge.com (International site) or www.pclocs.com.au (Australia and New Zealand).

For video instructions, go to <https://vimeo.com/194627704>.